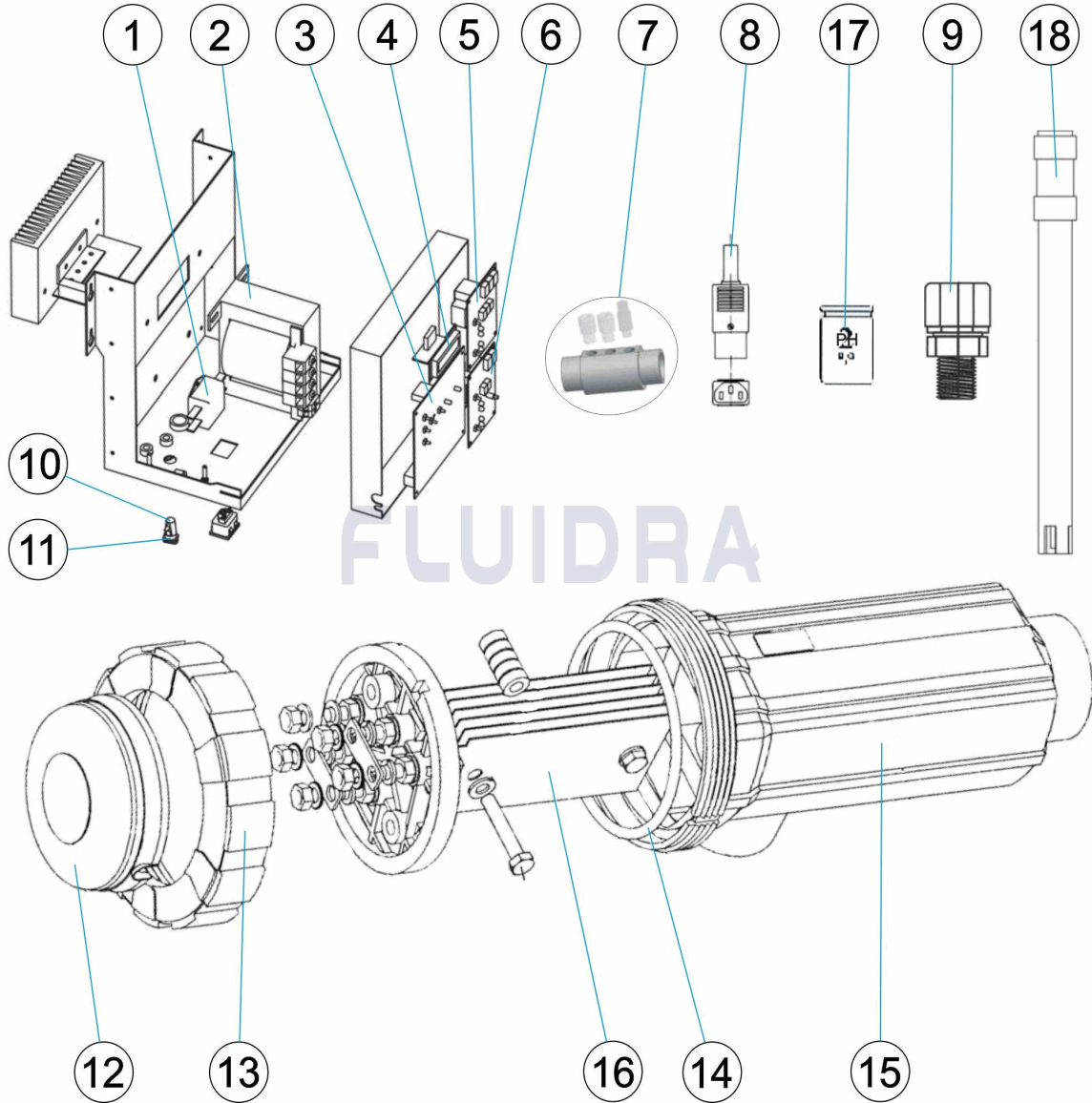


CODIGO **38782, 38783, 38784**

DESCRIPCION: **SISTEMA ELECTROLISIS SALINA PLUS GAMA PRIVADA**



ESPAÑOL

POS	CODIGO	DESCRIPCION	CANTIDAD	POS	CODIGO	DESCRIPCION	CANTIDAD
1	4408041021	FILTRO 230V A-65/A-120 EX/PLUS		10	4408041014	FUSIBLE 6X32 2A.	
2	* 4408041007	TRANSFORMADOR POTENCIA A-10 PLUS		11	4408041015	PORTAFUSIBLES 6X32 CHASIS	
2	* 4408041008	TRANSFORMADOR POTENCIA A-18 PLUS		12	4408040509	PROTECTOR CONTACTOS	
2	* 4408041009	TRANSFORMADOR POTENCIA A-25 PLUS		13	4408040508	TUERCA CIERRE CELULA	
3	* 4408041010	PBA CONTROL A-10 PLUS		14	4408040510	JUNTA VASO EPDM.	
3	* 4408041011	PBA CONTROL A-18 PLUS		15	57655	CELULA PORTA ELECTRODOS	
3	* 4408041012	PBA CONTROL A-25 PLUS		16	* CLEL033	ELECTRODO AUTO-LIMPIANTE A-10 PLUS	
4	4408041020	DISPLAY SISTEMA EX/PLUS		16	* CLEL034	ELECTRODO AUTO-LIMPIANTE A-18 PLUS	
5	4408041019	PLACA CONTROL ORP		16	* CLEL035	ELECTRODO AUTO-LIMPIANTE A-25 PLUS	
6	4408040602	PLACA CONTROL PH		17	60618	TAMPON PH 7,0 50 M/L. (VERDE)	
7	70968	PORTASONDAS		17	60632	TAMPON PH 4,0 50 ML. (ROJO)	
7	74493	PORTASONDAS		17	60633	SOLUCION CALIBRACION 470MV.	
8	4408040524	CONECTOR CEE22 PARA BOMBA DOSIFIC.		18	60648	ELECTRODO COMBINADO PH	

*** NOTA OBSERVACIONES**

CODIGO 38782, 38783, 38784

DESCRIPCION: SISTEMA ELECTROLISIS SALINA PLUS GAMA PRIVADA

9	* 4408040604	PORTAELECTRODOS PE 12M/M-1/2"	18	60649	ELECTRODO ORP
9	* 4408040444	PORTASONDAS			

CODIGO 38782, 38783, 38784

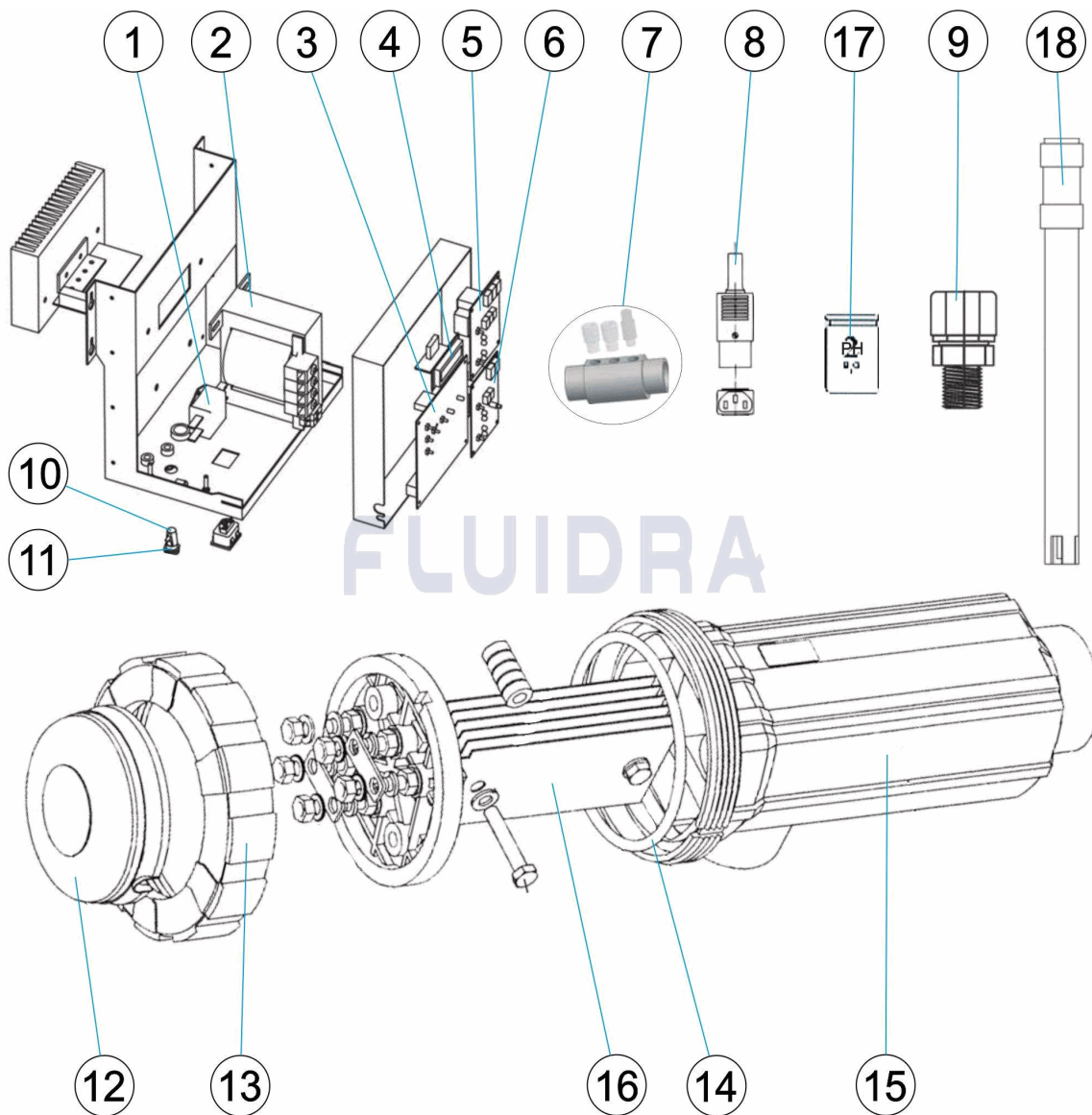
DESCRIPCION: SISTEMA ELECTROLISIS SALINA PLUS GAMA PRIVADA

OBSERVACIONES

POS	CODIGO	OBSERVACIONES
2	* 4408041007	PARA: 38782
2	* 4408041008	PARA: 38783
2	* 4408041009	PARA: 38784
3	* 4408041010	PARA: 38782
3	* 4408041011	PARA: 38783
3	* 4408041012	PARA: 38784
9	* 4408040604	PARA: 70968
9	* 4408040444	PARA: 74493
16	* CLEL033	PARA: 38782
16	* CLEL034	PARA: 38783
16	* CLEL035	PARA: 38784

CODE 38782, 38783, 38784

DESCRIPTION: SYSTÈME ÉLECTROLYSE SALINE PLUS GAMME PRIVÉE



FRANCAIS

POS	CODE	DESCRIPTION	QUANTITE	POS	CODE	DESCRIPTION	QUANTITE
1	4408041021	FILTRE 230V A-65/A-120 EX/PLUS		10	4408041014	FUSIBLE 6X32 2A.	
2	* 4408041007	TRANSFORMATEUR A-10 PLUS		11	4408041015	PORTE-FUSIBLES 6X32 CASSIS	
2	* 4408041008	TRANSFORMATEUR A-18 PLUS		12	4408040509	PROTECTEUR CONTACTS	
2	* 4408041009	TRANSFORMATEUR A-25 PLUS		13	4408040508	ECRU FERMETURE CELLULE	
3	* 4408041010	PBA CONTRÔLE A-10 PLUS		14	4408040510	JOINT VASE EPDM	
3	* 4408041011	PBA CONTRÔLE A-18 PLUS		15	57655	CELLULE PORTE-ÉLECTRODE	
3	* 4408041012	PBA CONTRÔLE A-25 PLUS		16	* CLEL033	ELECTRODE AUTO-NETTOYANTE A-10 PLU	
4	4408041020	SISTEME D'AFFICHAGE EX/PLUS		16	* CLEL034	ELECTRODE AUTO-NETTOYANTE A-18 PLU	
5	4408041019	PLAQUE CONTRÔLE ORP		16	* CLEL035	ELECTRODE AUTO-NETTOYANTE A-25 PLU	
6	4408040602	PLAQUE CONTRÔLE PH		17	60618	TAMPON PH 7,0 50 M/L. (VERT)	
7	70968	PORTE-SONDES		17	60632	TAMPON PH 4,0 50 ML. (ROUGE)	
7	74493	PORTE-SONDES		17	60633	SOLUTION CALIBRAGE 470 MV	
8	4408040524	CONNECTEUR CEE22 POUR POMPE DOSÉ		18	60648	ELECTRODE COMBINÉE PH	

* VOIR FICHE D'OBSERVATIONS

CODE **38782, 38783, 38784**

DESCRIPTION: **SYSTÈME ÉLECTROLYSE SALINE PLUS GAMME PRIVÉE**

9	* 4408040604	PORTE-ÉLECTRODE PE 12M/M. 1/2"	18	60649	ELECTRODE ORP
9	* 4408040444	PORTE-SONDES			

CODE **38782, 38783, 38784**

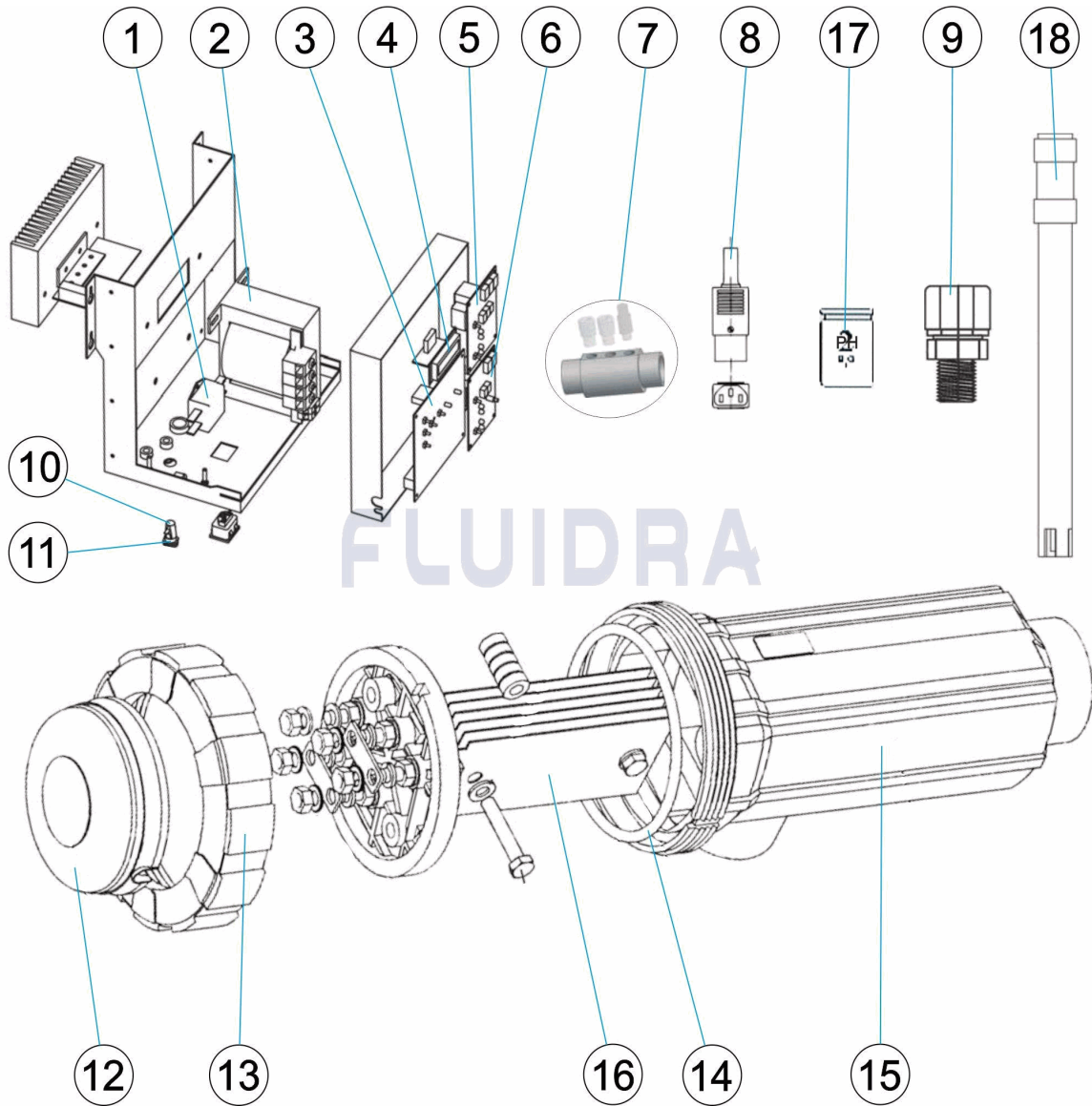
DESCRIPTION: **SYSTÈME ÉLECTROLYSE SALINE PLUS GAMME PRIVÉE**

OBSERVATIONS

POS	CODE	OBSERVATIONS
2	* 4408041007	POUR: 38782
2	* 4408041008	POUR: 38783
2	* 4408041009	POUR: 38784
3	* 4408041010	POUR: 38782
3	* 4408041011	POUR: 38783
3	* 4408041012	POUR: 38784
9	* 4408040604	POUR: 70968
9	* 4408040444	POUR: 74493
16	* CLEL033	POUR: 38782
16	* CLEL034	POUR: 38783
16	* CLEL035	POUR: 38784

CODE **38782, 38783, 38784**

DESCRIPTION: **SALINE ELECTROLYSIS SYSTEM PLUS PRIVATE RANGE**



ENGLISH

POS	CODE	DESCRIPTION	QUANTITY	POS	CODE	DESCRIPTION	QUANTITY
1	4408041021	FILTER 230V A-65/A-120 EX/PLUS		10	4408041014	FUSE 6X32 2A	
2	* 4408041007	POWER TRANSFORMER A-10 PLUS		11	4408041015	FUSE HOLDER 6X32	
2	* 4408041008	POWER TRANSFORMER A-18 PLUS		12	4408040509	CONTAC PROTECTION	
2	* 4408041009	POWER TRANSFORMER A-25 PLUS		13	4408040508	CLOSINGNUT FOR CELL	
3	* 4408041010	PBA CONTROL A-10 PLUS		14	4408040510	CELL EPDM GASKET	
3	* 4408041011	PBA CONTROL A-18 PLUS		15	57655	ELECTRODE CELL	
3	* 4408041012	PBA CONTROL A-25 PLUS		16	* CLEL033	ELECTRODE A-10 PLUS	
4	4408041020	DISPLAY EX/PLUS		16	* CLEL034	ELECTRODE A-18 PLUS	
5	4408041019	ELECTRONIC CARD ORP		16	* CLEL035	ELECTRODE A-25 PLUS	
6	4408040602	ELECTRONIC CARD PH		17	60618	CALIBRATION SOLUTION PH 7,0 50 M/L. (GF	
7	70968	SENSOR HOLDER		17	60632	CALIBRATION SOLUTION PH 4,0 50 ML. (RE	
7	74493	SENSOR HOLDER		17	60633	CALIBRATION SOLUTION ORP 470 MV	
8	4408040524	CEE22 CONNECTOR PUMP		18	60648	ELECTRODE PH	

*** SEE OBSERVATIONS SHEET**

CODE **38782, 38783, 38784**

DESCRIPTION: **SALINE ELECTROLYSIS SYSTEM PLUS PRIVATE RANGE**

9	* 4408040604	ELECTRODE CARRIER PE 12M/M.-1/2"	18	60649	ORP ELECTRODE
9	* 4408040444	SENSOR HOLDER			

CODE **38782, 38783, 38784**

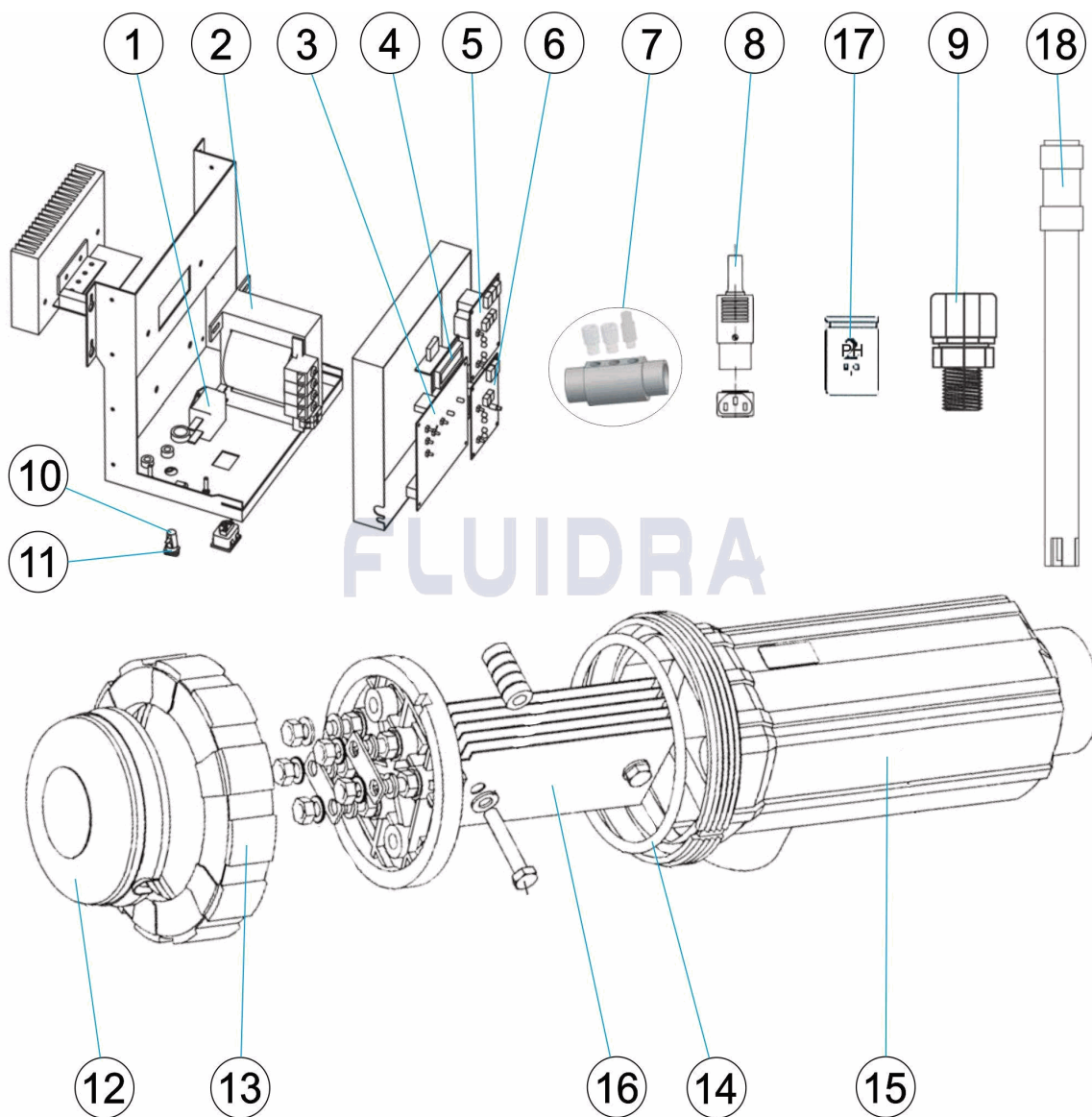
DESCRIPTION: **SALINE ELECTROLYSIS SYSTEM PLUS PRIVATE RANGE**

OBSERVATIONS

POS	CODE	OBSERVATIONS
2	* 4408041007	FOR: 38782
2	* 4408041008	FOR: 38783
2	* 4408041009	FOR: 38784
3	* 4408041010	FOR: 38782
3	* 4408041011	FOR: 38783
3	* 4408041012	FOR: 38784
9	* 4408040604	FOR: 70968
9	* 4408040444	FOR: 74493
16	* CLEL033	FOR: 38782
16	* CLEL034	FOR: 38783
16	* CLEL035	FOR: 38784

CODICE 38782, 38783, 38784

DESCRIZIONE: SISTEMA ELECTROLISI SALINA PLUS GAMMA PRIVATA



ITALIANO

POS	CODICE	DESCRIZIONE	QUANTITA'	POS	CODICE	DESCRIZIONE	QUANTITA'
1	4408041021	FILTRE 230V A-65/A-120 EX/PLUS		10	4408041014	FUSIBILE 6X32 2A.	
2	* 4408041007	TRANSFORMATORE A-10 PLUS		11	4408041015	PORTAFUSIBILI 6X32 CORPO	
2	* 4408041008	TRANSFORMATORE A-18 PLUS		12	4408040509	PROTECTORE CONTATTI	
2	* 4408041009	TRANSFORMATORE A-25 PLUS		13	4408040508	GHIERA CHIUSURA CELLA	
3	* 4408041010	PBA A-10 PLUS		14	4408040510	GUARNICIONE COPERCHIO CELLA	
3	* 4408041011	PBA A-18 PLUS		15	57655	CELLA PORTAELETTRODI	
3	* 4408041012	PBA A-25 PLUS		16	* CLEL033	ELETTRODO A-10 PLUS	
4	4408041020	DISPLAY SISTEMA EX/PLUS		16	* CLEL034	ELETTRODO A-18 PLUS	
5	4408041019	SCHEDA RX		16	* CLEL035	ELETTRODO A-25 PLUS	
6	4408040602	SCHEDA PH		17	60618	SOLUCIONE TAMPONE PH 7,0 50 M/L. (VER	
7	70968	PORTA-SONDE		17	60632	SOLUCIONE TAMPONE PH 4,0 50 ML. (ROS:	
7	74493	PORTA-SONDE		17	60633	SOLUCIONE CALIBRAZIONE 470MV.	
8	4408040524	CONNETTORE CEE22 POMPA DOSATRICE		18	60648	ELETTRODO COMBINATO PH	

* SI FACCIA RIFERIMENTO AL FOGLIO DELLE OSSERVAZIONI

CODICE **38782, 38783, 38784**

DESCRIZIONE: **SISTEMA ELECTROLISI SALINA PLUS GAMMA PRIVATA**

9	* 4408040604	PORTAELETTODO PE 12M/M. X 1/2"	18	60649	ELETTRODO RX
9	* 4408040444	PORTA-SONDE			

CODICE **38782, 38783, 38784**

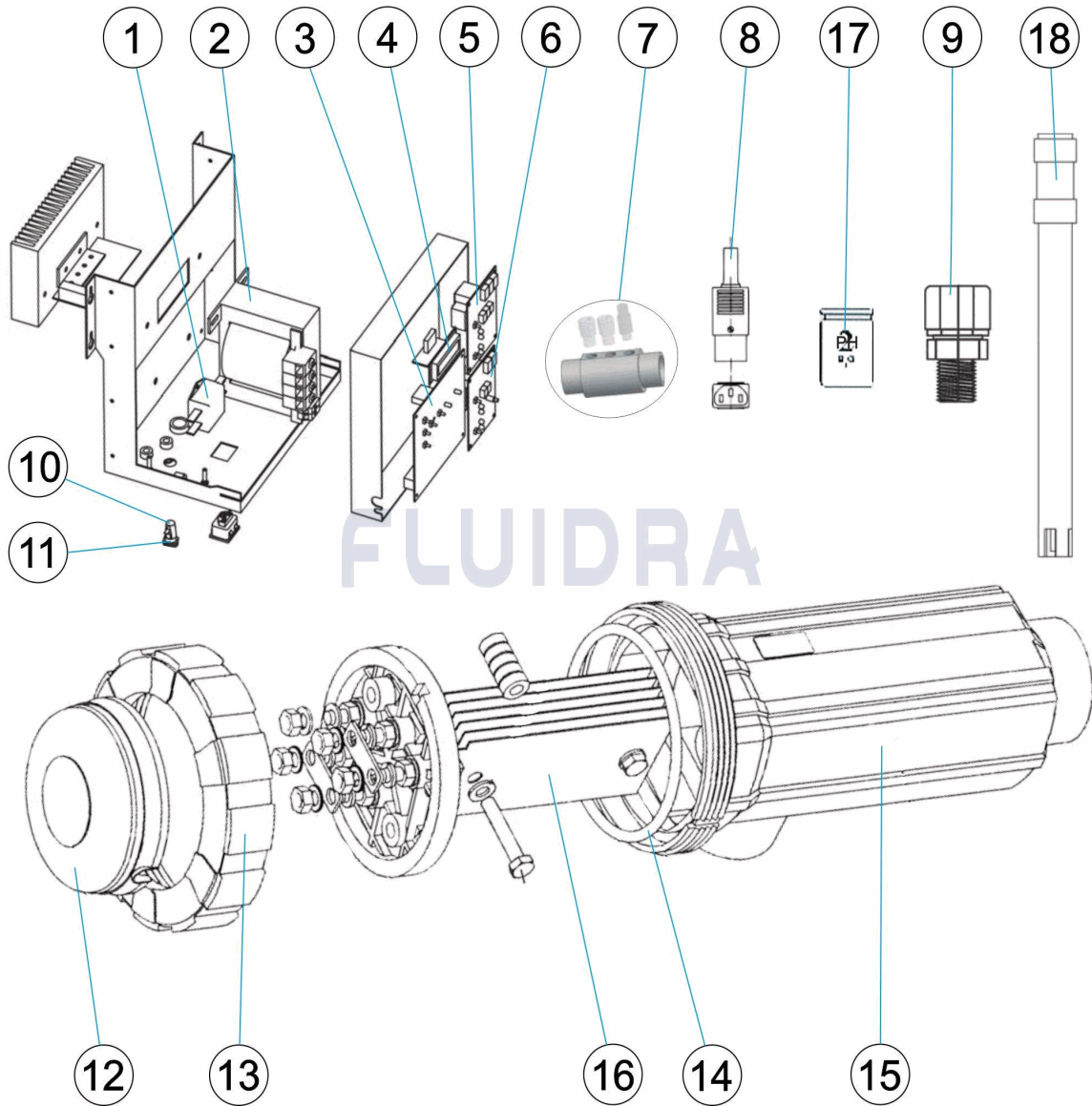
DESCRIZIONE: **SISTEMA ELECTROLISI SALINA PLUS GAMMA PRIVATA**

OSSERVAZIONI

POS	CODICE	OSSERVAZIONI
2	* 4408041007	PER: 38782
2	* 4408041008	PER: 38783
2	* 4408041009	PER: 38784
3	* 4408041010	PER: 38782
3	* 4408041011	PER: 38783
3	* 4408041012	PER: 38784
9	* 4408040604	PER: 70968
9	* 4408040444	PER: 74493
16	* CLEL033	PER: 38782
16	* CLEL034	PER: 38783
16	* CLEL035	PER: 38784

CODE 38782, 38783, 38784

BESCHREIBUNG: ELEKTROLYTSYSTEM SALZ PLUS PRIVATGEBRAUCH



DEUTSCH

POS	CODE	BESCHREIBUNG	MENGE	POS	CODE	BESCHREIBUNG	MENGE
1	4408041021	FILTER 230 V A-65/A-120 EX/PLUS		10	4408041014	SICHERUNG 6 X 32 2 A	
2	* 4408041007	LEISTUNGSTRAFO A-10 PLUS		11	4408041015	SICHERUNGSSITZ 6 X 32 RAHMEN	
2	* 4408041008	LEISTUNGSTRAFO A-18 PLUS		12	4408040509	KONTAKTSCHUTZ	
2	* 4408041009	LEISTUNGSTRAFO A-25 PLUS		13	4408040508	MUTTER SCHLIESSVORRICHTUNG ZELLE	
3	* 4408041010	PBA STEUERUNG A-10 PLUS		14	4408040510	DICHTUNG GEHÄUSE EPDM	
3	* 4408041011	PBA STEUERUNG A-18 PLUS		15	57655	ELEKTRODENZELLE	
3	* 4408041012	PBA STEUERUNG A-25 PLUS		16	* CLEL033	ELEKTRODEN SELBSTREINIGEND A-10 PLI	
4	4408041020	DISPLAY SYSTEM EX/PLUS		16	* CLEL034	ELEKTRODEN SELBSTREINIGEND A-18 PLI	
5	4408041019	ORP-KONTROLLPLATTE		16	* CLEL035	ELEKTRODEN SELBSTREINIGEND A-25 PLI	
6	4408040602	STEUERPLATINE PH		17	60618	PUFFER PH 7,0 50 M/L (GRÜN)	
7	70968	SONDENHALTERUNG		17	60632	PUFFER PH 4,0 50 ML (ROT)	
7	74493	SONDENHALTERUNG		17	60633	KALIBRIERLÖSUNG 47 0MV	
8	4408040524	STECKKUPPLUNG CEE22 FÜR DOSIERPUI		18	60648	ELEKTRODE KOMBINIERT PH	

* SIEHE ANMERKUGSBLATT

CODE **38782, 38783, 38784**

BESCHREIBUNG: **ELEKTROLYTSYSTEM SALZ PLUS PRIVATGEBRAUCH**

9	* 4408040604	ELEKTRODENSITZ PE 12 MM-1/2"	18	60649	ORP-ELEKTRODE
9	* 4408040444	SONDENHALTERUNG			

CODE **38782, 38783, 38784**

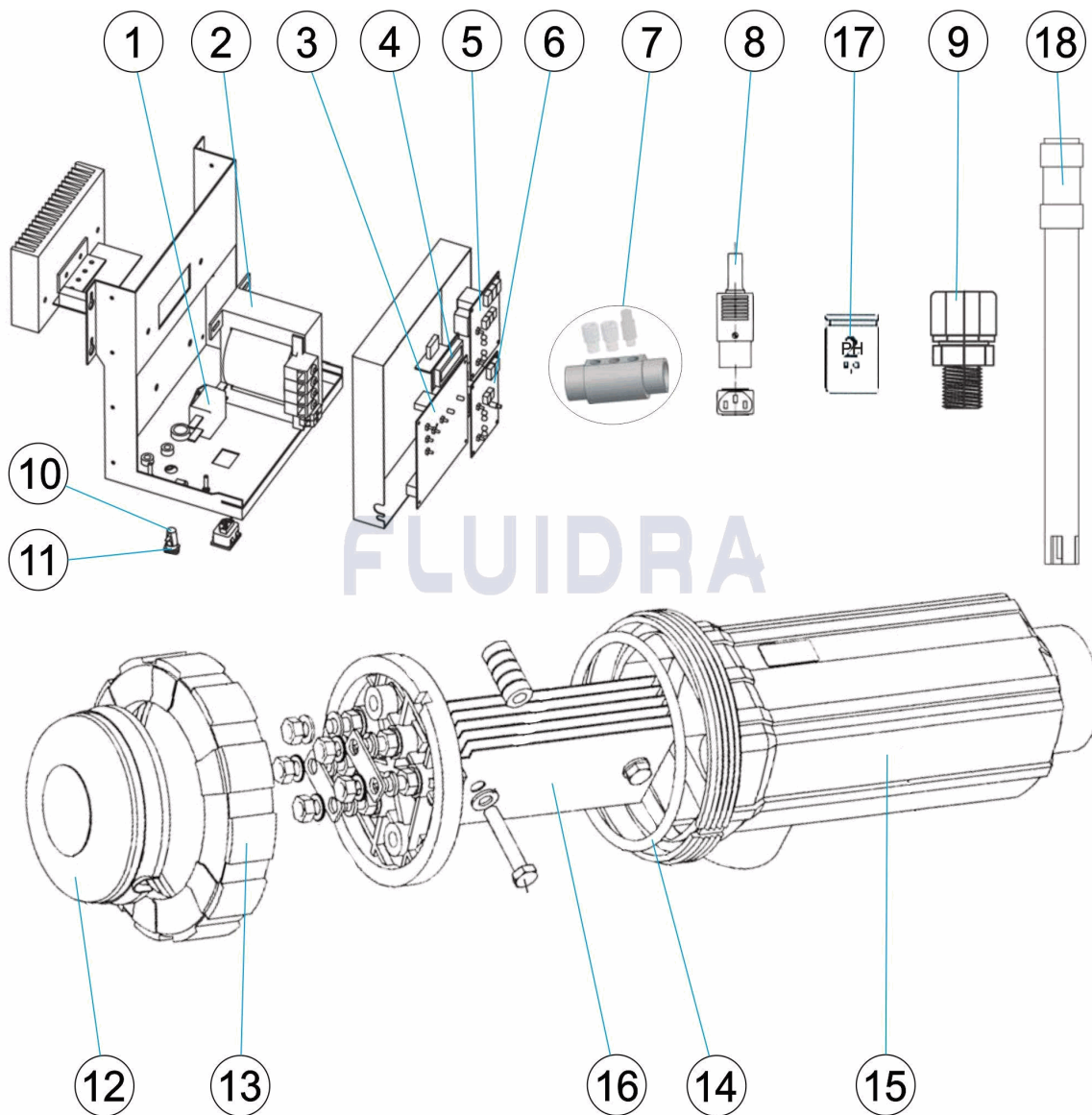
BESCHREIBUNG: **ELEKTROLYTSYSTEM SALZ PLUS PRIVATGEBRAUCH**

HINWEISE

POS	CODE	HINWEISE
2	* 4408041007	FÜR: 38782
2	* 4408041008	FÜR: 38783
2	* 4408041009	FÜR: 38784
3	* 4408041010	FÜR: 38782
3	* 4408041011	FÜR: 38783
3	* 4408041012	FÜR: 38784
9	* 4408040604	FÜR: 70968
9	* 4408040444	FÜR: 74493
16	* CLEL033	FÜR: 38782
16	* CLEL034	FÜR: 38783
16	* CLEL035	FÜR: 38784

CODIGO **38782, 38783, 38784**

DESCRICÃO: **SISTEMA ELECTRÓLISE SALINA PLUS GAMA PRIVADA**



PORTUGUES

POS	CODIGO	DESCRICÃO	JANTIDADE	POS	CODIGO	DESCRICÃO	JANTIDADE
1	4408041021	FILTRO 230V A-65/A-120 EX/PLUS		10	4408041014	FUSIVEL 6X32 2A	
2	* 4408041007	TRANSFORMADOR A-10 PLUS		11	4408041015	PORTAFUSIVEIS 6X32 CHASIS	
2	* 4408041008	TRANSFORMADOR A-18 PLUS		12	4408040509	PROTECTOR CONTACTOS	
2	* 4408041009	TRANSFORMADOR A-25 PLUS		13	4408040508	TAMPA ROSCADA DE FECHO DA VASO	
3	* 4408041010	PBA CONTROL A-10 PLUS		14	4408040510	JUNTA EPDM COPO	
3	* 4408041011	PBA CONTROL A-18 PLUS		15	57655	VASO PORTA-ELECTRODOS	
3	* 4408041012	PBA CONTROL A-25 PLUS		16	* CLEL033	ELECTRODO AUTO-LIMPANT. A-10 PLUS	
4	4408041020	DISPLAY SISTEMA EX/PLUS		16	* CLEL034	ELECTRODO AUTO-LIMPANT. A-18 PLUS	
5	4408041019	PLACA CONTROLO ORP		16	* CLEL035	ELECTRODO AUTO-LIMPANT. A-25 PLUS	
6	4408040602	PLACA CONTROLO PH		17	60618	SOLUÇÃO TAMPÃO PH 7,0 50 ML. (VERDE)	
7	70968	PORTA-SONDAS		17	60632	SOLUÇÃO TAMPÃO PH 4,0 50 ML. (VERMEL)	
7	74493	PORTA-SONDAS		17	60633	SOLUÇÃO TAMPÃO 470 MV	
8	4408040524	CONECTOR CEE 22 PARA BOMBA DOSIFIC		18	60648	ELECTRODO COMBINADO PH	

*** VEJA A FICHA DE OBSERVAÇÕES**

CODIGO **38782, 38783, 38784**

DESCRIÇÃO: **SISTEMA ELECTRÓLISE SALINA PLUS GAMA PRIVADA**

9	* 4408040604	PORTAELECTRODOS PE 12M/M-1/2"	18	60649	ELECTRODO ORP
9	* 4408040444	PORTA-SONDAS			

CODIGO 38782, 38783, 38784

DESCRIÇÃO: SISTEMA ELECTRÓLISE SALINA PLUS GAMA PRIVADA

OBSERVAÇÕES

POS	CODIGO	OBSERVAÇÕES
2	* 4408041007	PARA: 38782
2	* 4408041008	PARA: 38783
2	* 4408041009	PARA: 38784
3	* 4408041010	PARA: 38782
3	* 4408041011	PARA: 38783
3	* 4408041012	PARA: 38784
9	* 4408040604	PARA: 70968
9	* 4408040444	PARA: 74493
16	* CLEL033	PARA: 38782
16	* CLEL034	PARA: 38783
16	* CLEL035	PARA: 38784